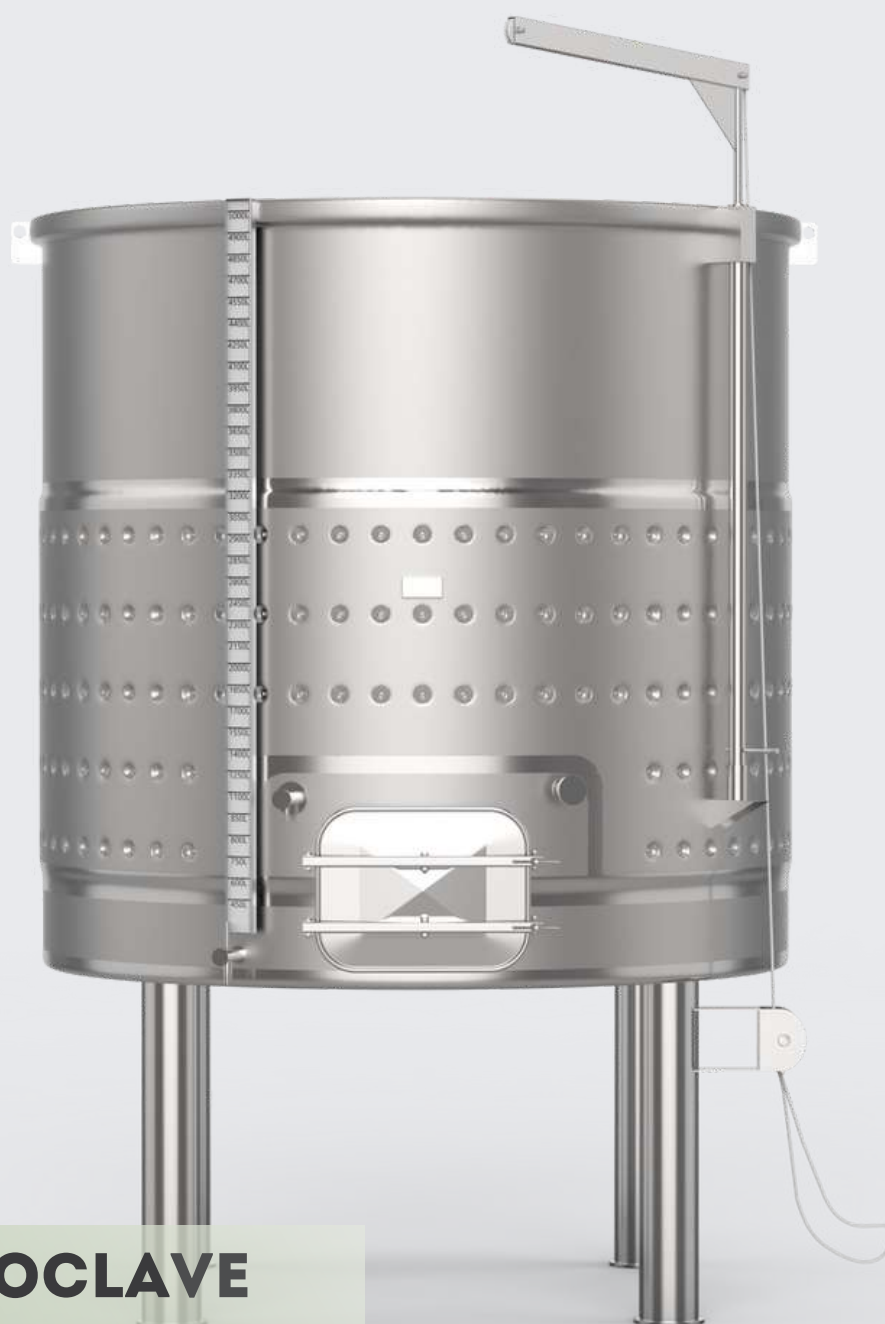


2022

CATALOGUE

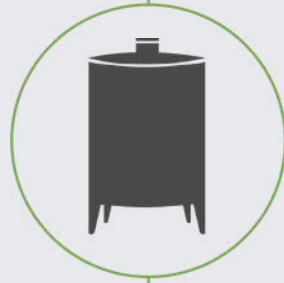
STRUCTURES AND VATS



JOTOCLAVE

INDÚSTRIA METALÚRGICA, LDA.

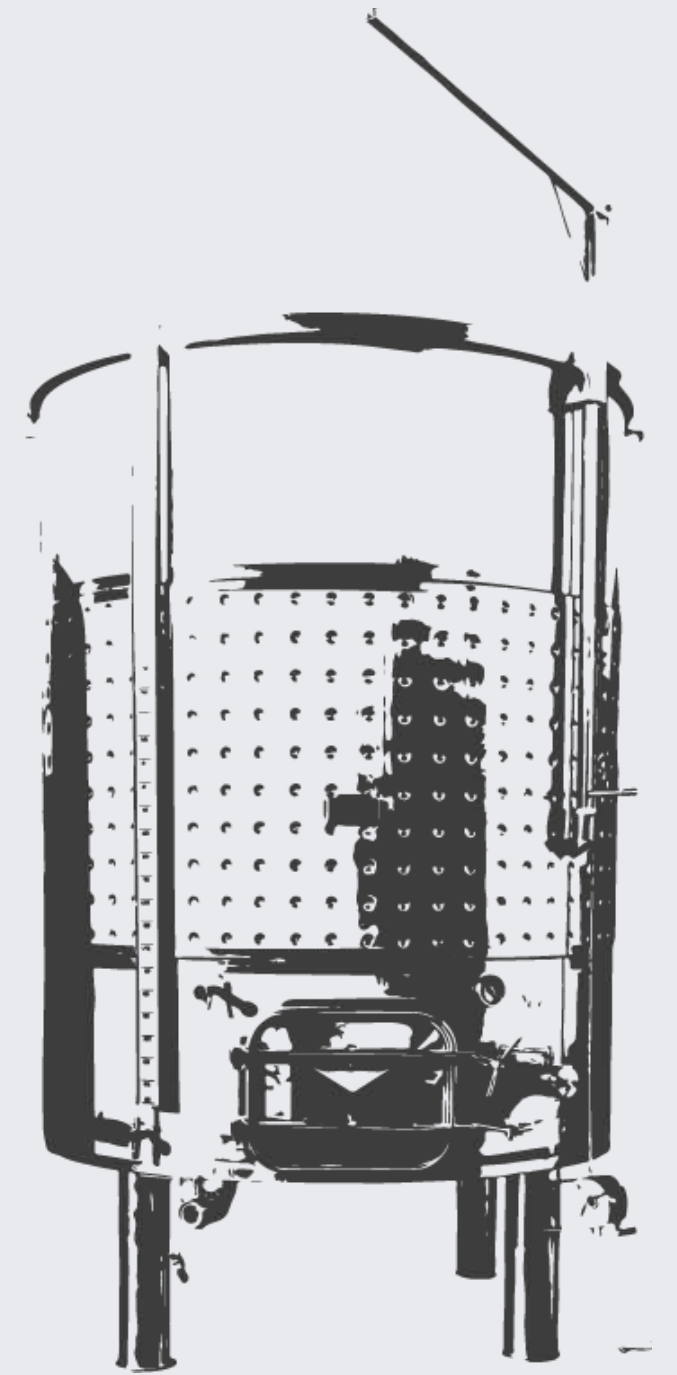
TANKS
DEPÓSITOS
DEPÓSITOS



STRUCTURES
ESTRUTURAS
ESTRUTURAS



PROJECTS
PROJETOS
PROYECTOS



01. STAINLESS STEEL VATS/TANKS

A.1 Conical vat with feet

A.2 Inclined vat with feet

A.3 Pneumatic / "always full" vat

A.4 Isothermal vat

A.5 Conical body vat

A.6 Argelina type vat (self fermenting)

A.7 Autovidant vat

A.8 Double vat

A.9 Flat vat with inclined bottom

A.10 Standard tank

A.11 Lung for chiller connection

A.12 Vat with structure for transportation

A.13 Mash tank

A.14 Fermentation dorna

A.15 Steel vat with membrane (autoclave)

A.16 Steel vat without membrane (autoclave)

A.17 Closed expansion tank (open circuit)

A.18 Open expansion tank (open circuit)

A.1 CONICAL VAT WITH FEET
CUBA FUNDO CÔNICO COM PÉS
DEPÓSITO FONDO CÓNICO CON PIES



conical wine vat with cooling jacket



Details and accessories

A.1 TECHNICAL CHARACTERISTICS**CARACTERÍSTICAS TÉCNICAS GERAIS****CARACTERISTICAS GENERALES**

CAP.	550	750	1000	1250	1500	2000	3000	4000	5000	6000	7500	10000	12500	15000	20000	25000	30000	40000
ØC. (mm)	795	950	900	950	1100	1270	1370	1580	1750	1930	1950	2050	2220	2480	2480	2800	2860	3250
HT. (mm)	1700	1700	2250	2250	2250	2300	2900	2950	2950	3100	3500	4000	4000	4000	5000	5500	5500	6600
low valve	1" steel valve	1" steel valve	1" steel valve	butterfly valve	butterfly valve	butterfly valve	butterfly valve	butterfly valve	butterfly valve	butterfly valve	butterfly valve	butterfly valve	butterfly valve	butterfly valve	butterfly valve	butterfly valve	butterfly valve	butterfly valve
inferior door	yes	yes	yes	yes	yes	yes	yes	yes	yes	yes	yes	yes	yes	yes	yes	yes	yes	yes
superior door	- / 300Ø	- / 300Ø	300Ø	300Ø	300Ø	300Ø	300Ø	300Ø	400Ø	400Ø	400Ø	400Ø	400Ø	400Ø	400Ø	400Ø	400Ø	400Ø
cooling jacket	-	-	750	750	750	750	1000	1000	1000	1000	1250	1500	1500	1500	2x1000	2x1000	2x1250	2x1500

CAP. CAPACITY | CAPACIDADE | CAPACIDAD

ØC. DIAMETER | DIÂMETRO | DIÂMETRO

HT. TOTAL HEIGHT | ALTURA TOTAL | ALTURA TOTAL

any alteration on request

different sizes and capacities on request

Characteristics

Made in Portugal

Certified product (CE)

Available in 304 or 316 stainless steel

Round top door

Rectangular bottom door

Sample valve

Level valve

Probe and thermometer

Butterfly valve

Level scale

Double act valve

cleaning pipe

stainless steel feet or adjustable pipe feet

Cooling jacket

Tate-lie

A.2 INCLINED VAT WITH FEET
CUBA FUNDO INCLINADO COM PÉS
DEPÓSITO FONDO INCLINADO CON PIES



inclined wine vat with cooling jacket



Details and accessories

A.2 TECHNICAL CHARACTERISTICS

CARACTERÍSTICAS TÉCNICAS GERAIS

CARACTERISTICAS GENERALES

CAP.	1000	1500	2000	2500	3000	4000	5000	6000	7500	10000	12500	15000	20000	25000	30000	40000
ØC. (mm)	990	1100	1270	1430	1370	1580	1750	1950	1930	2050	2250	2480	2480	2800	2860	3160
HT. (mm)	2000	2250	2300	2300	2900	2950	2950	3100	3500	4000	4000	4000	5000	5500	5500	6600
low valve	butterfly valve	butterfly valve	butterfly valve	butterfly valve	butterfly valve	butterfly valve	butterfly valve	butterfly valve	butterfly valve	butterfly valve	butterfly valve	butterfly valve	butterfly valve	butterfly valve	butterfly valve	butterfly valve
inferior door	420x310	420x310	420x310	420x310	420x310	420x310	420x310	420x310	420x310	420x310	420x310	420x310	420x310	420x310	420x310	420x310
superior door	300Ø	300Ø	300Ø	300Ø	300Ø	300Ø	400Ø	400Ø	400Ø	400Ø	400Ø	400Ø	400Ø	400Ø	400Ø	400Ø
cooling jacket	750	750	750	750	1000	1000	1000	1000	1250	1500	1500	1500	2 x 1000	2 x 1000	2 x 1250	2 x 1500

CAP. CAPACITY | CAPACIDADE | CAPACIDAD

ØC. DIAMETER | DIÂMETRO | DIÂMETRO

HT. TOTAL HEIGHT | ALTURA TOTAL | ALTURA TOTAL

any alteration on request

different sizes and capacities on request

Characteristics

Made in Portugal

Certified product (CE)

Inclined bottom 5%

Available in 304 or 316 stainless steel

Round top door

Rectangular bottom door

Sample valve

Level valve

Probe and thermometer

Level scale

Butterfly valve

Double act valve

cleaning pipe

stainless steel feet or adjustable pipe feet

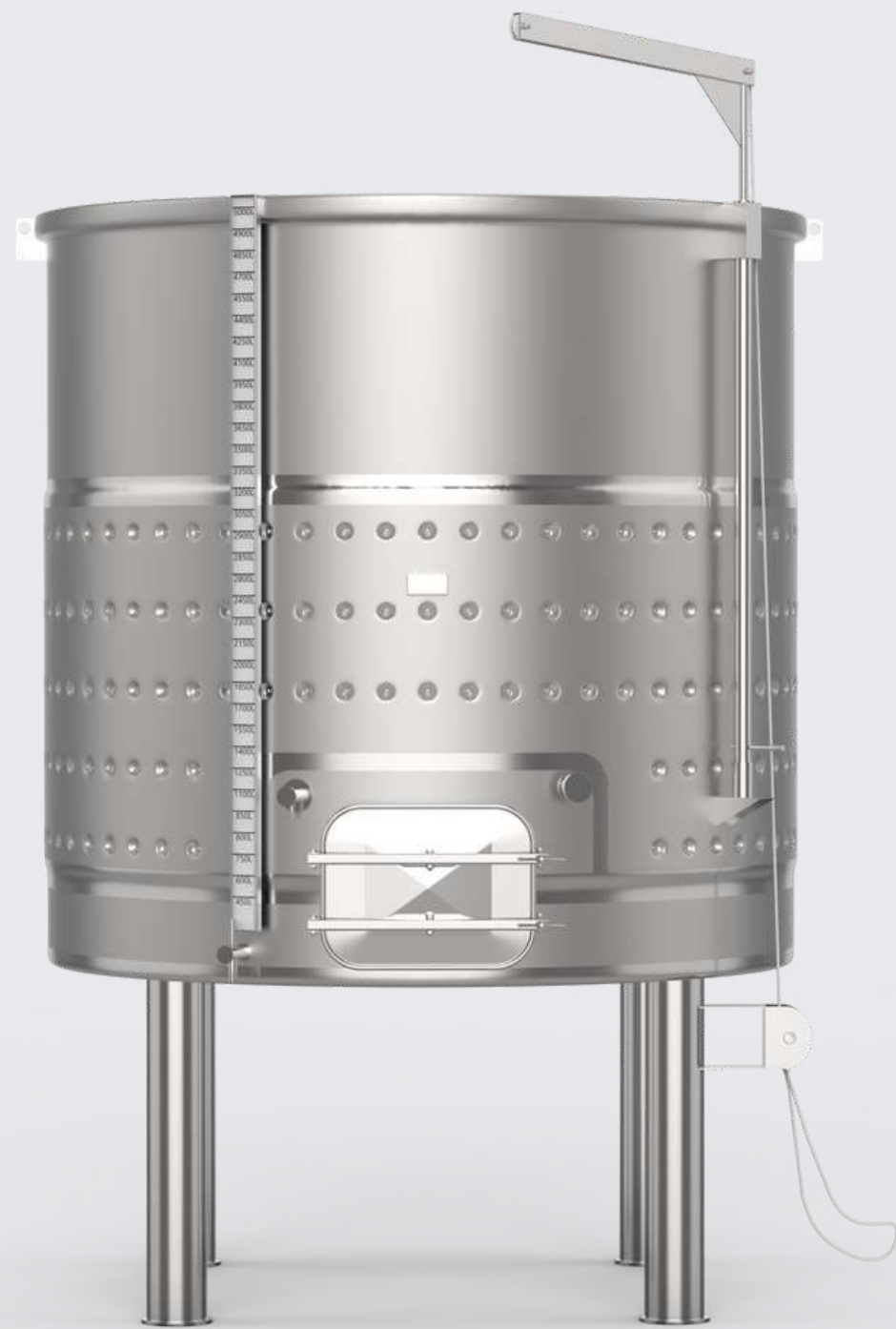
Cooling jacket

Tate-lie

Polished ball valve

A.3 PNEUMATIC / "ALWAYS FULL" VAT

CUBA SEMPRE CHEIA / PNEUMÁTICA COM PÉS
DEPÓSITO SIEMPRE-LLENO CON PIES



always full wine vat with cooling jacket and adjustable feet

A.3 TECHNICAL CHARACTERISTICS

CARACTERÍSTICAS TÉCNICAS GERAIS

CARACTERISTICAS GENERALES

CAP.	50	100	150	200	250	350	550	750	1000	1500	2000	2500	3100	4000	5000	7600	10000
ØC. (mm)	400	450	540	540	650	650	795	955	940	1150	1320	1270	1430	1600	1600	1910	2100
HT. (mm)	850	1050	1050	1350	1250	1500	1500	1500	1950	2000	2000	2500	2500	2500	3000	3300	3600
valve	steel valve 1/2"	steel valve 1/2"	steel valve 1/2"	steel valve 3/4"	steel valve 1"	steel valve 1"	steel valve 1"	steel valve 1"	butterfly valve	butterfly valve	butterfly valve	butterfly valve	butterfly valve	butterfly valve	butterfly valve	butterfly valve	butterfly valve
door	-	-	-	-	-	-	-	-	-	-	-	420x310	420x310	420x310	420x310	420x310	420x310
elevation arm	-	-	-	-	-	-	-	-	yes	yes	yes	yes	yes	yes	yes	yes	yes
steel winch	-	-	-	-	-	-	-	-	-	-	-	yes	yes	yes	yes	yes	yes

CAP. CAPACITY | CAPACIDADE | CAPACIDAD

ØC. DIAMETER | DIÂMETRO | DIÂMETRO

HT. TOTAL HEIGHT | ALTURA TOTAL | ALTURA TOTAL

any alteration on request

different sizes and capacities on request

Characteristics

Made in Portugal

Certified product (CE)

Available in 316 or 304 stainless steel

Adjustable pipe feet

Reinforcement ring

Spheric valve

Butterfly valve

Rectangular bottom door

Sample valve

Level scale

Level valve

Probe and thermometer

Elevation arm

Steel winch

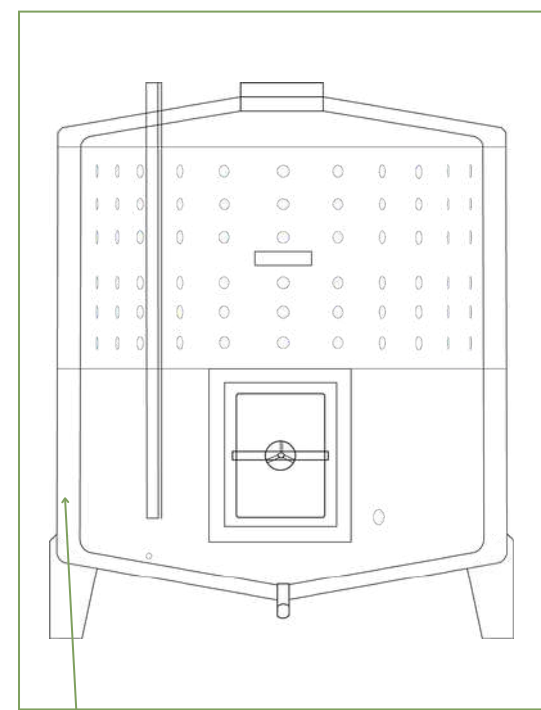
Cleaning pipe

Cooling jacket

Conical or inclined bottom

A.4 ISOTHERMICAL VAT

CUBA ISOTÉRMICA
CUBA ISOTERMICA



isothermal vat drawing

high density
poliurethane insulation
100mm



Details and accessories

A.4 TECHNICAL CHARACTERISTICS

CARACTERÍSTICAS TÉCNICAS GERAIS

CARACTERISTICAS GENERALES

CAP.	1000	1500	2000	2600	3100	4100	5100	7500	10000
ØC. interior (mm)	955	1100	1270	1260	1400	1400	1590	1860	2150
ØC. exterior (mm)	1160	1300	1470	1460	1600	1600	1790	2060	2350
HT. (mm)	2600	2600	2600	3200	3200	3600	3600	4000	4200
valve	butterfly valve	butterfly valve	butterfly valve	butterfly valve	butterfly valve	butterfly valve	butterfly valve	butterfly valve	butterfly valve
superior door	300Ø	300Ø	300Ø	300Ø	300Ø	300Ø	300Ø	400Ø	400Ø
cooling jacket	1000	1000	1500	1500	1500	1750	1750	2x1000	2x1000
poliurethane (mm)	100	100	100	100	100	100	100	100	100

CAP. CAPACITY | CAPACIDADE | CAPACIDAD

ØC. int INTERIOR DIAMETER | DIÂMETRO INTERNO | DIÂMETRO INTERNO

ØC.ext EXTERIOR DIAMETER | DIÂMETRO EXTERNO | DIÂMETRO EXTERNO

HT. TOTAL HEIGHT | ALTURA TOTAL | ALTURA TOTAL

any alteration on request

different sizes and capacities on request

Characteristics

Made in Portugal

Certified Product (CE)

Available in 316 and 304 steel

Top round door

Bottom double door

Insulated in injected high density polyurethane with 100mm thickness

Optional cooling jacket

Sample valve

Level scale

Level valve

Probe and thermometer

Butterfly valve

Double act valve

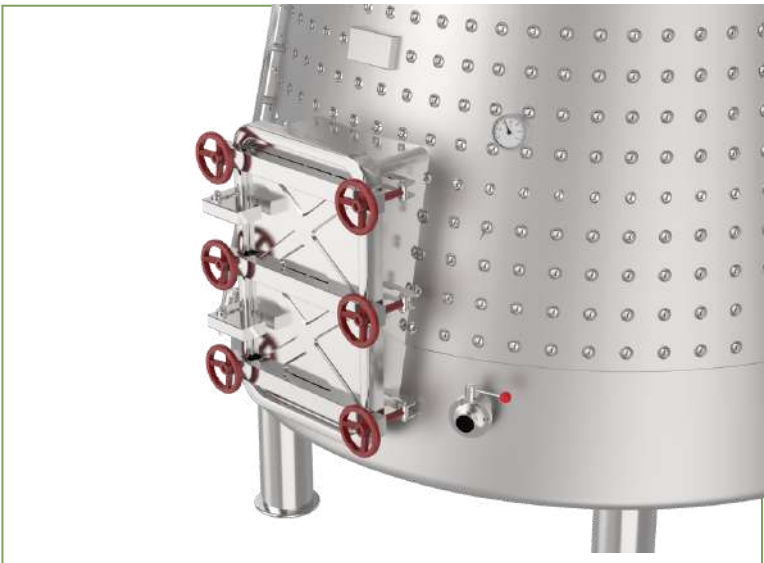
Cleaning pipe

Stainless steel feet

A.5 CONICAL BODY VAT
CUBA TRONCOCÓNICA
CUBA TRONCO CONICA



conical body wine vat with cooling jacket



Details and accessories

A.5 TECHNICAL CHARACTERISTICS

CARACTERÍSTICAS TÉCNICAS GERAIS

CARACTERISTICAS GENERALES

CAP.	5000	7500	10000	15000	20000
Ø1. (mm)	2150	2000	2300	2550	2550
Ø2. (mm)	2335	2430	2800	3125	3275
HB. (mm)	1930	2150	2350	2650	3350
HT. (mm)	2860	3530	3750	4000	4750

CAP. CAPACITY | CAPACIDADE | CAPACIDAD

Ø1. BODY DIAMETER | DIÂMETRO CORPO | DIÂMETRO CORPO

Ø2. BOTTOM DIAMETER | DIÂMETRO FUNDO | DIÂMETRO FUNDO

HB. BODY HEIGHT | ALTURA CORPO | ALTURA CORPO

HT. TOTAL HEIGHT | ALTURA TOTAL | ALTURA TOTAL

any alteration on request

different sizes and capacities on request

Characteristics

Made in Portugal

Certified Product (CE)

Produto Certificado (CE)

Top loading outlet

Double act valve

Temperature probe pipe

Cooling jacket

Thermometer

Level scale

Sample valve

Level valve

Rectangular 750x450mm door "rioja" style

Spheric male valve

Pipe adjustable feet

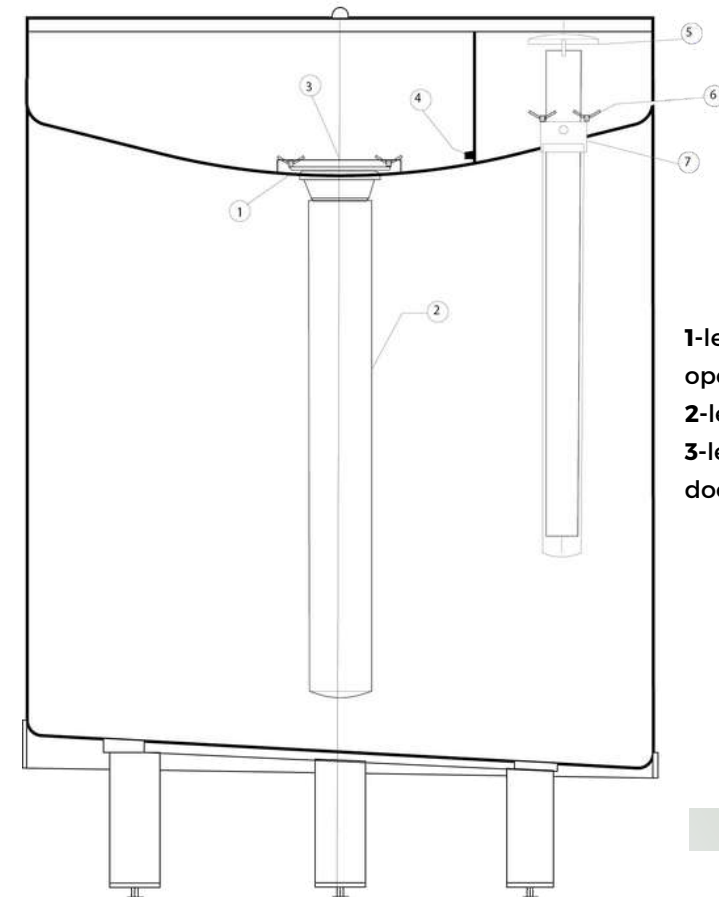
Safety calibrated valve

Tate-lie

A.6 ARGELINA TYPE VAT (SELF FERMENTING)

CUBA ARGELINA

CUBA TIPO ARGELINA



1-leach valve opening
2-leach valve
3-leach valve top door opening

4-male bushing 3/4
5- hidraulic valve
6- hidraulic valve top door opening
7- hidraulic valve opening



Argelina type wine vat - automatic wine maker



Details and accessories

A.6 TECHNICAL CHARACTERISTICS

CARACTERÍSTICAS TÉCNICAS GERAIS

CARACTERISTICAS GENERALES

MANUFACTURED EXCLUSIVELY BY JOTOCLOVE-INDÚSTRIA METALÚRGICA, LDA IN PORTUGAL

FABRICO EXCLUSIVO DA JOTOCLOVE-INDÚSTRIA METALÚRGICA, LDA EM PORTUGAL

FABRICACIÓN EXCLUSIVA DE JOTOCLOVE-INDÚSTRIA METALÚRGICA, LDA EN PORTUGAL

Capacities on request
Capacidades sob consulta
Capacidades bajo pedido

MADE BY ORDER WINE VAT EXAMPLE:

EXEMPLO CUBA SOB ENCOMENDA:

CUBA A PEDIDO EXEMPLO:

CAP.	9000
ØC. (mm)	2200
HB. (mm)	3000
HT. (mm)	3650

CAP. CAPACITY | CAPACIDADE | CAPACIDAD
ØC. DIAMETER | DIÂMETRO | DIÂMETRO
HB. BODY HEIGHT | ALTURA CORPO | ALTURA CORPO
HT. TOTAL HEIGHT | ALTURA TOTAL | ALTURA TOTAL

Based on the Algerian amphoras, this technic is well known for bringing up the authenticity of wine flavors. Besides this process adds more minerality, as it has a low human interference, mainly on the fermentation phase.

The wine vat includes a collum for the grape must, an ascension collum for the wine, one leach valve and a hidraulic valve.

The leaching process, also knows as washing, it is an extraction process, wich consists basically of the separation of inorganic from organic compounds, it is a very used method in the metallurgic industry.

The Argelina vat, is also autovidant, or selfdraining.

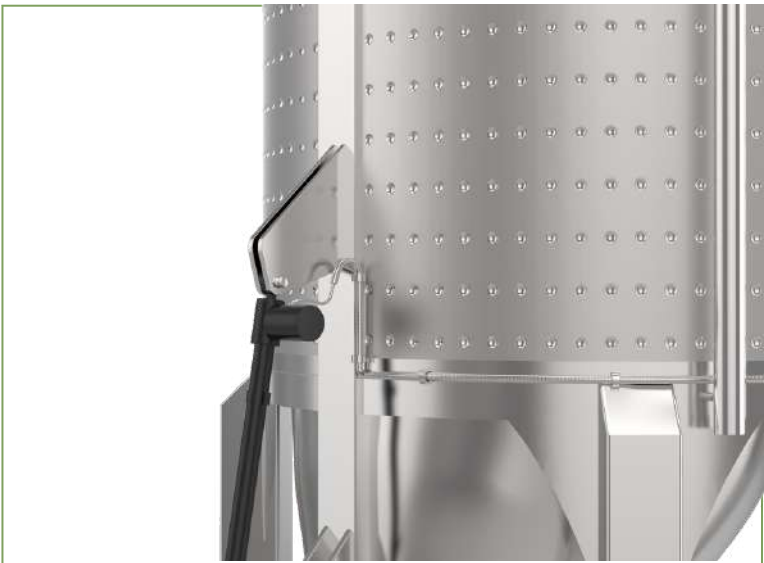
Characteristics

Made in Portugal
Certified Product (CE)
Loaging collum with loading door for grape must
Acension collum
Leaching valve
Hidraulic valve
Bottom door 405x530
Cooling jacket
Sample valve
Level valve
Probe and thermometer
Spheric Valve
Level scale
Lifting eyes

A.7 AUTOVIDANT VAT
CUBA AUTOVIDANTE
CUBA DE VINO AUTOVIDANTE



auto-venting wine vat with cooling jacket



Details and accessories

A.7 TECHNICAL CHARACTERISTICS

CARACTERÍSTICAS TÉCNICAS GERAIS

CARACTERISTICAS GENERALES

CAP.	1000	1500	2000	3000	4000	5000	7500	10000
ØC. (mm)	900	1100	1315	1430	1370	1580	1930	1950
HT. (mm)	2250	2250	2880	2900	2950	3100	4000	4000

CAP. CAPACITY | CAPACIDADE | CAPACIDAD

ØC. DIAMETER | DIÂMETRO | DIÂMETRO

HT. TOTAL HEIGHT | ALTURA TOTAL | ALTURA TOTAL

any alteration on request

different sizes and capacities on request

Characteristics

Made in Portugal

Certified Products (CE)

Available in 304 and 316 steel

Automatic deloading

Deloading door with hidraulic/electric comand

Switchboard

Top rounded door

Bottom rounder door Ø350

Sample valve

Level valve

Thermometer and probe

Cooling jacket

Steel pipe adjustable feet

Excentric conic bottom

Butterfly valve

Double act valve

Cleaning pipe

Shperic Valve

A.8 DOUBLE VAT
CUBA DUPLA
DEPÓSITO DUPLO



double wine vat with adjustable pipe legs



Details and accessories

A.8 TECHNICAL CHARACTERISTICS

CARACTERÍSTICAS TÉCNICAS GERAIS

CARACTERÍSTICAS GENERALES

CAP.	2x 2500	2x5000	2x10000	2x15000
ØC. (mm)	1600	2000	2550	2770
HB. (mm)	2500	3250	3750	4750
HT. (mm)	3725	4300	5025	6150

CAP. CAPACITY | CAPACIDADE | CAPACIDAD

ØC. int DIAMETER | DIÂMETRO | DIÂMETRO

HB. BODY HEIGHT | ALTURA CORPO | ALTURA CORPO

HT. TOTAL HEIGHT | ALTURA TOTAL | ALTURA TOTAL

any alteration on request

different sizes and capacities on request

Characteristics

Made in Portugal

Certified product (CE)

Available in 304 and 316 steel

Top rounded door

Bottom rectangular door

Sample valve

Level valve

Probe and thermometer

Butterfly valve

Double act valve

Spheric male valve

Cleaning pipe

Stainless steel feet or pipe adjustable feet

Cooling jacket

Tate-lie

A.9 FLAT VAT WITH INCLINED BOTTOM

CUBA RASA PARA CIMENTO

CUBA RASA PARA CIMENTO



flat wine vat for cement floor



Details and accessories

A.9 TECHNICAL CHARACTERISTICS**CARACTERÍSTICAS TÉCNICAS GERAIS****CARACTERISTICAS GENERALES**

CAP.	10000	12500	15000	20000	25000	30000	40000	50000	60000	70000	80000
ØC. (mm)	2000	2300	2300	2540	2540	2770	3050	3450	1930	1950	2050
HB. (mm)	3250	3000	3750	4000	5000	5000	5500	5500	7000	7000	8250
HT. (mm)	3750	3700	4450	4730	5750	5750	6300	6430	7820	9080	9100

CAP. CAPACITY | CAPACIDADE | CAPACIDAD

ØC. INTERIOR DIAMETER | DIÂMETRO INTERNO | DIÂMETRO INTERNO

HB. BODY HEIGHT | ALTURA CORPO | ALTURA CORPO

HT. TOTAL HEIGHT | ALTURA TOTAL | ALTURA TOTAL

any alteration on request

different sizes and capacities on request

Characteristics

Made in Portugal

Certified product (CE)

Available in 304 and 316 steel

Inclined flat bottom

Top round door

Bottom rectangular door

Sample valve

Level valve

Probe and thermometer

Level scale

Spheric male valve

Double act valve

Cleaning pipe

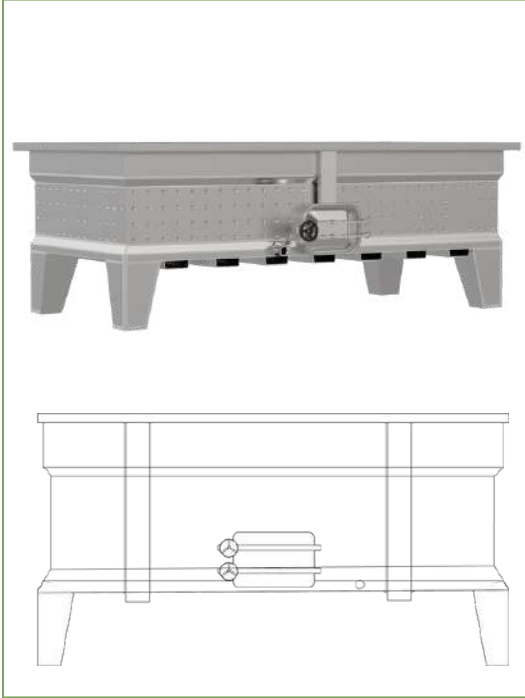
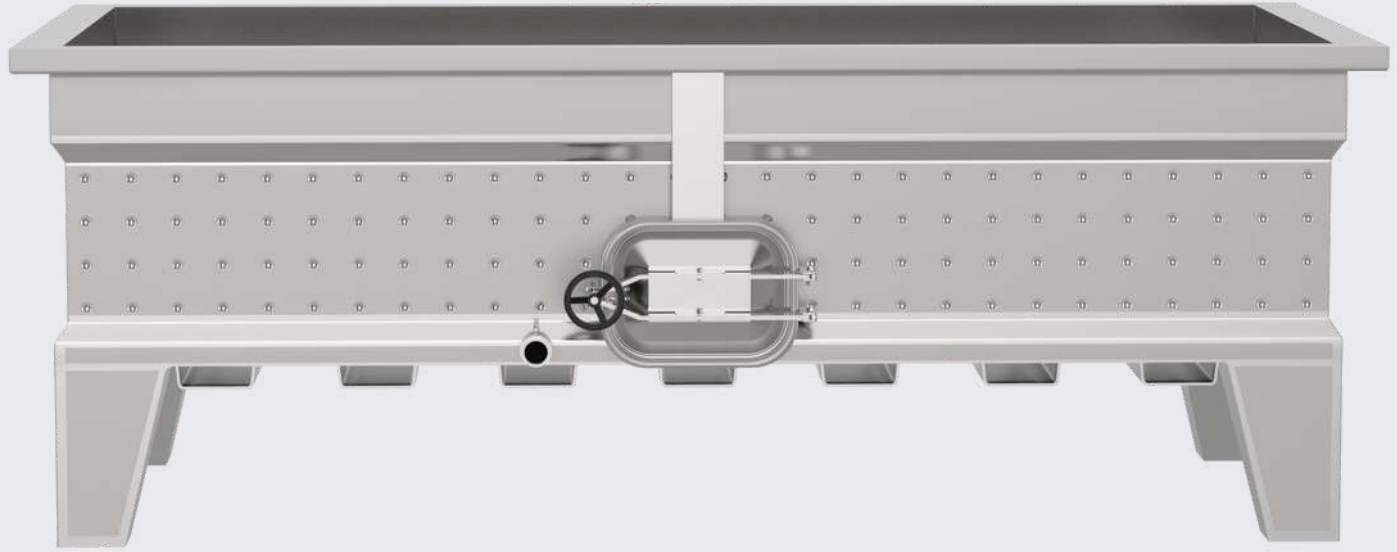
Cooling jacket

Tate-lie

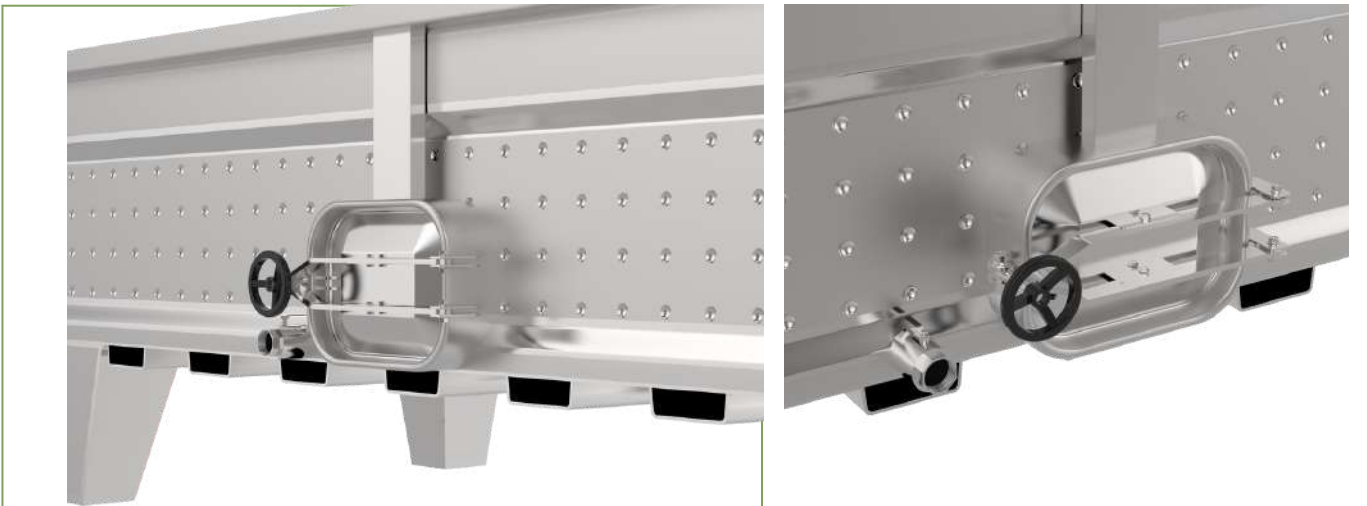
A.10 STANDARD TANK

LAGAR STANDARD (QUADRADO OU REDONDO)

LAGAR ESTÁNDAR (CUADRADO O REDONDO)



standard open tank with cooling jacket



Details and accessories

A.10 TECHNICAL CHARACTERISTICS**CARACTERÍSTICAS TÉCNICAS GERAIS****CARACTERISTICAS GENERALES**

CAP.	500	1000	1500	2100	2500	3150	4200	5250	6560	8100	9100	10000
CxLxA	1000 x 750 x 750	1500 x 1000 x 700	1800 x 1250 x 700	2000 x 1500 x 700	2500 x 1500 x 700	3000 x 1500 x 700	3000 x 1500 x 700	3750 x 2000 x 700	3750 x 2500 x 700	4500 x 2500 x 720	4500 x 2500 x 810	4500 x 3000 x 810
HT. (mm)	1100	1100	1100	1100	1100	1100	1100	1100	1100	1100	1400	1500
outlet valve	polished valve	polished valve	polished valve	polished valve	polished valve	polished valve	polished valve	polished valve	polished valve	polished valve	polished valve	polished valve
cooling jacket	-/on request	-/on request	-/on request	-/on request	-/on request	-/on request	-/on request	-/on request	-/on request	-/on request	-/on request	-/on request

CAP. CAPACITY | CAPACIDADE | CAPACIDAD
CxLxA MEASUREMENTS | MEDIDAS | MEDIDAS
HT. TOTAL HEIGHT | ALTURA TOTAL | ALTURA TOTAL

any alteration on request
different sizes and capacities on request

Characteristics

Made in Portugal
Certified Product (CE)
Available in 304 or 316 steel
Bottom rectangular door
Spheric polished valve
Filter
Full drain pan
Cleaning pipe
Cooling jacket 350mm height
Reinforcements
Stainless steel feet
Other measurement doors

A.11 LUNG FOR CHILLER CONNECTION

PULMÃO

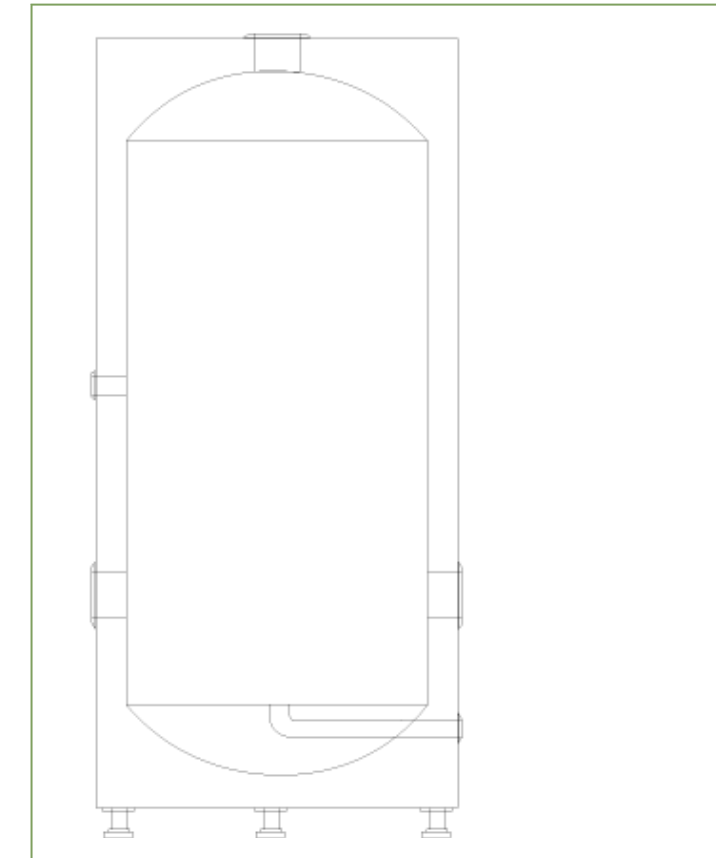
PULMÓN

**Characteristics**

Lung for chiller connection in circuits between the equipments and the cooling jackets, they also serve as storage for glicoled water, maintaining the water cooled for longer.

Its a high quality stainless steel built deposit with a thick high density polyurethane insulation layer, keeping the thermal temperature always intact and consistent.

With an outside lining of stainless steel, stainless steel connections, adjustable feet and ABS details.



poliurethane insulated lung with feet

CAP.	ØC. (mm)	HT. (mm)	Acessórios
500	840	2050	União 2"
750	1000	2050	União 2"
1000	1095	2100	Tampa 300 Ø
1500	1310	2200	Tampa 300 Ø
2000	1490	2200	Tampa 300 Ø
3000	1630	2800	Tampa 300 Ø

CAP. CAPACITY | CAPACIDADE | CAPACIDAD
ØC. DIAMETER | DIÂMETRO | DIÂMETRO
HT. TOTAL HEIGHT | ALTURA TOTAL | ALTURA TOTAL
 any alteration on request
 different sizes on request

A.12 DEPOSIT WITH BUILT IN STRUCTURE

CUBA COM ESTRUTURA
CUBA CON ESTRUCTURA

SIZES AND CAPACITIES ON REQUEST
Full customization



vat with structure to be carried by lifter or pallet rack

Characteristics

- Made in Portugal
- Certified Product (CE)
- Inclined or conical bottom
- Top round door
- Level valve
- Sample valve
- Thermometer
- Butterfly valve
- Level scale
- Built in structure for lifter or pallet rack

A.13 STANDARD CONTAINER

CONTENTOR STANDARD
CONTENEDOR ESTÁNDAR



standard container with reinforcements

CAP. (L)	CxLxA
1000	1000x1000x1000
1250	1250x1000x1000
1500	1500x1000x1000
2000	2000x1000x1000

CAP. CAPACITY | CAPACIDADE |
CAPACIDAD
CxLxA. MEASUREMENTS | MEDIDAS |
MEDIDAS
any alteration on request

A.14 STANDARD ROUND CONTAINER (DORNA)

DORNA REDONDA
CONTENEDOR ESTÁNDAR REDONDO



Rounded conical dorna with reinforcements

CAP. (L)	CxLxA
750	900x1000x1000
1000	959x1000x1000

CAP. CAPACITY | CAPACIDADE |
CAPACIDAD
CxLxA. MEASUREMENTS | MEDIDAS |
MEDIDAS
any alteration on request

A.15 STEEL VAT WITHOUT MEMBRANE (AUTOCLAVE)

AUTOCLAVE COM MEMBRANA
 AUTOCLAVE CON MEMBRANA



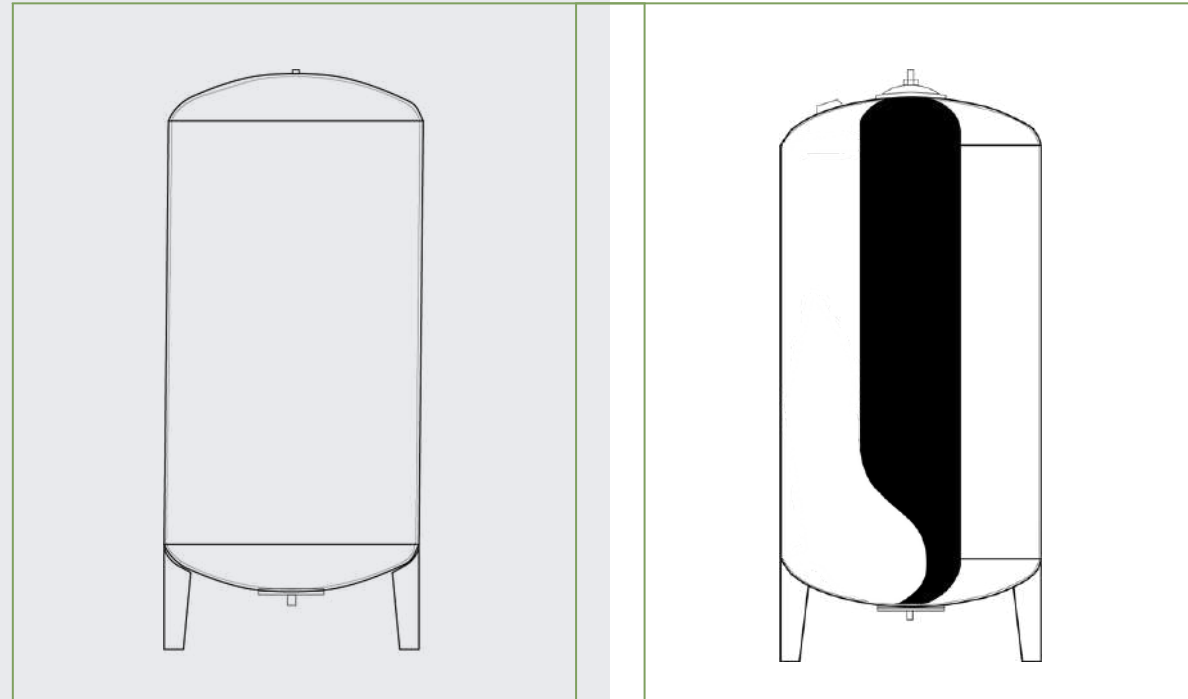
Autoclave without membrane 200l

CAP. CAPACITY | CAPACIDADE | CAPACIDAD
ØC. DIAMETER | DIÂMETRO | DIÂMETRO
HT. TOTAL HEIGHT | ALTURA TOTAL | ALTURA TOTAL
 any alteration on request
 different sizes on request

without membrane 6kg pressure CAP.	ØC. (mm)	HT. (mm)	without membrane 10kg pressure CAP.	ØC. (mm)	HT. (mm)
80	400	650	100	400	750
100	400	750	200	475	1000
200	475	1000	300	550	1250
300	550	1250	400	630	1250
400	630	1250	500	690	1250
500	690	1250	600	690	1500
600	690	1500	900	950	1500
1000	950	1500	1000	950	1500
1250	950	1500	1250	950	1500

A.16 STEEL VAT WITH MEMBRANE (AUTOCLAVE)

AUTOCLAVE SIN MEMBRANA
 AUTOCLAVE WITHOUT MEMBRANE



autoclave drawing without membrane

autoclave drawing with membrane



Autoclave with membrane 200l

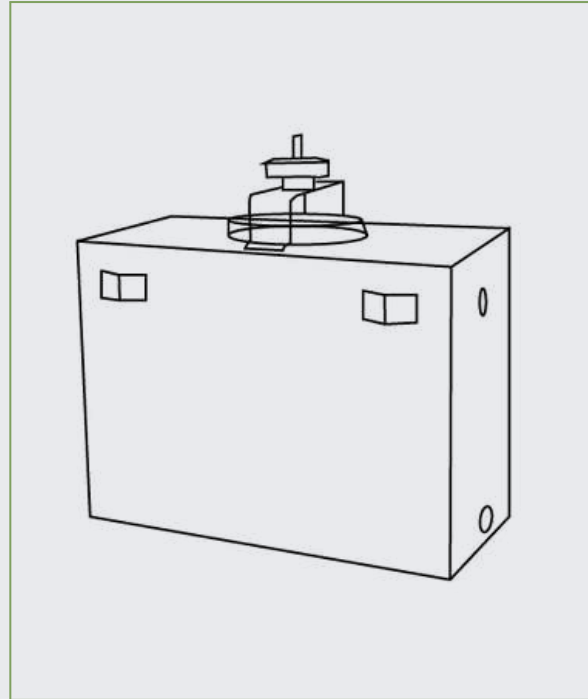
The autoclave, or balloon, is a fundamental equipment used in different water related functions, such as potable water supply, irrigation systems and fire extinguish systems. They require a regular air pressure verification.

CAP. CAPACITY | CAPACIDADE | CAPACIDAD
ØC. DIAMETER | DIÂMETRO | DIÂMETRO
HT. TOTAL HEIGHT | ALTURA TOTAL | ALTURA TOTAL
 any alteration on request
 different sizes on request

with membrana CAP.	ØC. (mm)	HT. (mm)
60	400	750
80	400	750
100	475	750
200	550	1000
300	690	1250
500	950	1250
1000	950	1300

A.17 CLOSED EXPANSION TANK (OPEN CIRCUIT)

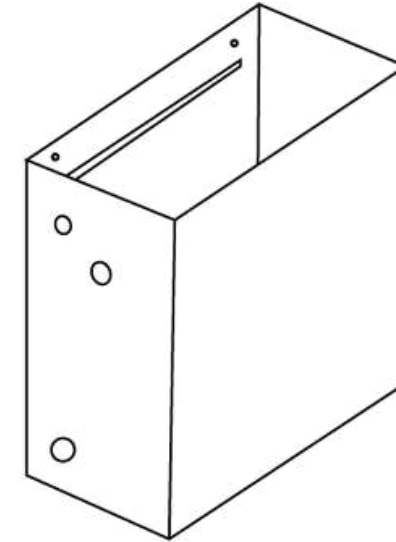
VASO DE EXPANSÃO FECHADO EM AÇO INOX
 VASO DE EXPANSIÓN CERRADO



closed expansion tank drawing

A.18 OPEN EXPANSION TANK (OPEN CIRCUIT)

VASO DE EXPANSÃO ABERTO EM AÇO INOX
 VASO DE EXPANSIÓN ABIERTO



opened expansion tank drawing



Capacidade	ØC. (mm)	HT. (mm)
50	400	750
24	400	750
100	475	750

CAP. CAPACITY | CAPACIDADE | CAPACIDAD
ØC. DIAMETER | DIÂMETRO | DIÂMETRO
HT. TOTAL HEIGHT | ALTURA TOTAL | ALTURA TOTAL
 any alteration on request
 different sizes on request

open or closed stainless steel expansion tank



Capacidade	ØC. (mm)	HT. (mm)
50	400	750
24	400	750
100	475	750

CAP. CAPACITY | CAPACIDADE | CAPACIDAD
ØC. DIAMETER | DIÂMETRO | DIÂMETRO
HT. TOTAL HEIGHT | ALTURA TOTAL | ALTURA TOTAL
 any alteration on request
 different sizes on request

open or closed stainless steel expansion tank

EXTRA ACCESSORIES

ACESSÓRIOS COMPLEMENTARES

ACCESORIOS COMPLEMENTARIOS

Stainless steel thermometer	Complete leveling feet m30
Digital thermometer	Complete leveling feet m40
Double act valve 2"	500x200 door
Nitrogen calibrated valve	600x90 door
Calibrated sealed valve for pressure	800x100 door
Spheric valve for nitrogen entrance	1000x100 door
sulfurator 60 Ø	440x305 oval door
Steel winch	standard door 420x310 interior opening
Stainless steel sample valve	standard door 420x310 exterior opening
Stainless steel level valve	530x405 door with exterior opening
Tate lie (decanter)	Rioja door 750x450
400x200 door	Butterfly valve with plug dn 40
Polished valve with plug dn40	Butterfly valve with plug dn 80
Polished valve with plug dn45	Butterfly valve with plug dn 50
Polished valve with plug dn55	Butterfly valve with plug dn 65
Polished valve with plug dn65	Complete leveling feet m20
Polished valve with plug dn80	Complete leveling feet m24

Any alteration on request

Accessories for 316 steel vats and 304 steel vats vary

Jotoclave-Indústria Metalúrgica,lda does not guarantee, the implicit or explicit exactness of the shown images.
3d models by sherry0077 via fiverr



Estrada Nacional 205, n°3069
Barqueiros-Barcelos-Braga
4740-694 Portugal

T.+351 253 851 926
jotoclave@gmail.com
www.jotoclave.net

